



ZANOTTI Spa
 Via M.L. King, 30
 46020 - Pegognaga (MN) - ITALY
 Tel. +39 0376 5551
 Fax +39 0376 536554
 info@zanotti.com

Technical specifications

Version 1.35

Model: **MSB225T02Y** Class: **Uniblock SB**

Technical data

Characteristics	M.U.	Value
Working temperature	°C	+10 ÷ -5
Starting mode		Direct
Voltage	Volt-Ph-Hz	230/1~/50
Rated input	kW*	1,15
Rated input	Amp*	6,18
Peak current	Amp	42,32
Max current	Amp	8,84
Refrigerant		R290
Defrost		Hot gas
Mass	Kg	75

Compressor

Type		Hermetic
Nominal power	kW	0,9

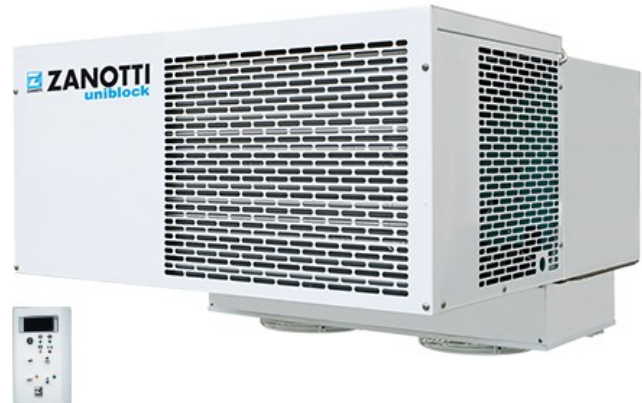
Condenser

Air flow	m³/h	1200
----------	------	------

Evaporator

Air flow	m³/h	1300
Air throw	m**	4

PED Category		0
--------------	--	---



Power data

Tc °C	Ta °C	P watt	P Kcal/h	V100 m³	V80 m³	V60 m³
10	20	2770	2379	30	27	25
	25	2700	2319	29	26	24
	30	2620	2250	28	25	23
	35	2560	2203	26	23	21
	40	2500	2151	25	23	21
5	45	2480	2133	23	21	19
	20	2450	2108	25	23	21
	25	2390	2059	24	22	20
	30	2330	2001	23	21	19
	35	2260	1946	21	20	18
0	40	2220	1907	20	19	17
	45	2200	1892	20	18	16
	20	2180	1875	20	19	17
	25	2130	1831	20	18	17
	30	2070	1776	19	17	15
-5	35	2030	1744	17	16	14
	40	1980	1701	16	15	13
	45	1970	1698	16	15	13
	20	1890	1629	16	15	14
	25	1800	1549	16	14	13
-5	30	1720	1480	14	13	12
	35	1670	1435	13	12	11
	40	1610	1385	12	11	10
	45	1550	1331	11	10	9

* When normally running: 0 ÷ +30°C

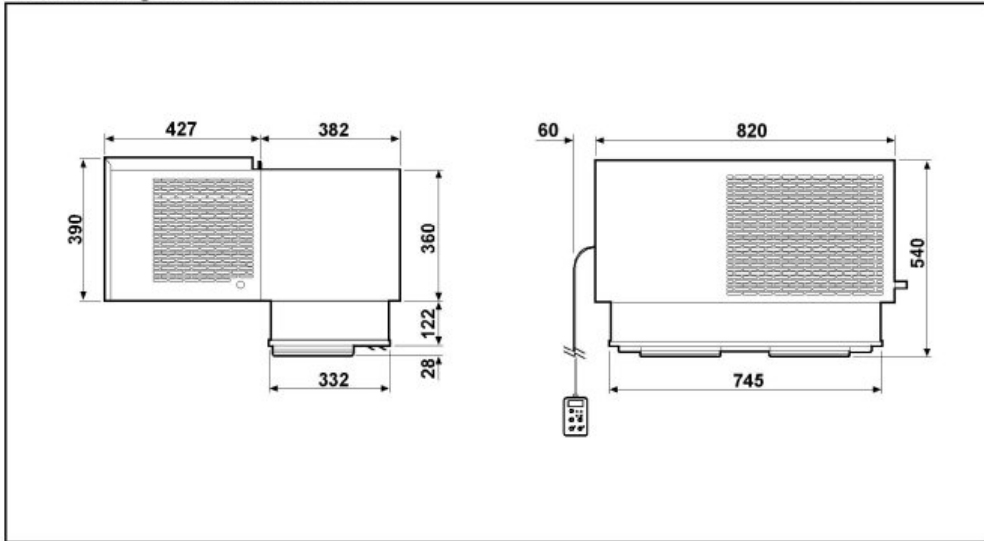
** Use air throw as a base. Air throw is affected by many factors such as height of room, product storage, location of evaporator, etc.

Tc: Coldroom temp. - Ta: External temp.

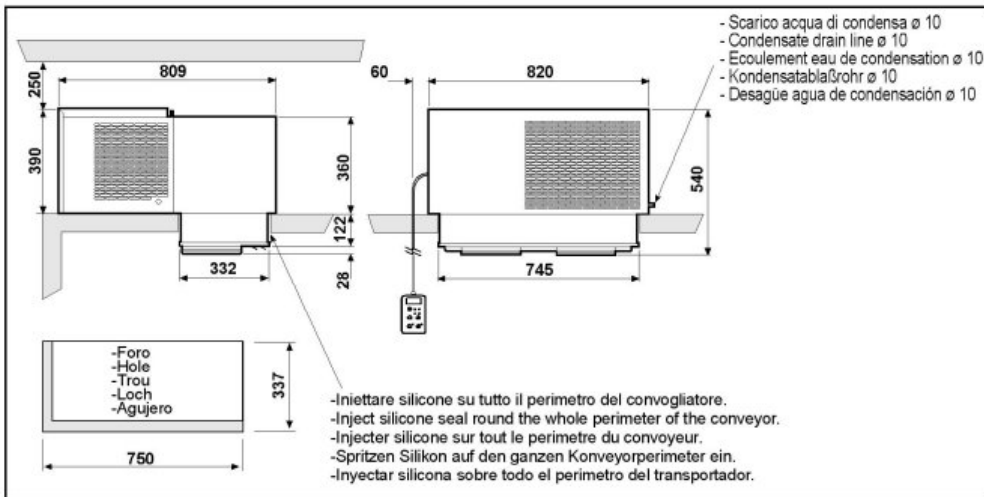
P: Refrigerant capacity - V: Recommended cold-room volume

Dimensioni - Dimensions - Dimensions
Abmessungen - Dimensiones

SB225

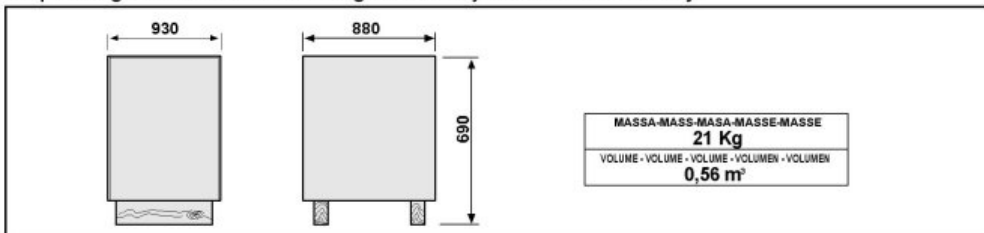


Schema di montaggio - Mounting scheme - Schema de montage
Montageschema - Esquema de montaje



- * Raccomandazioni in sede di installazione e per il controllo fornite sul manuale di installazione
- * To be advised at time of order for factory installation and operating instructions
- * Recommendations au moments d'installations et pour le contrôle fournis sur le manuel d'installation
- * Empfehlungen für die Installationsphase und zur Kontrolle, die im Handbuch zur Installation enthalten sind
- * Por cuanto respecta a recomendaciones de instalación y control ver manual de instalación

Massa e misure imballi - Packing mass and dimensions - Masse et dimensions emballages
Verpackungsmasse und-abmessungen - Masa y medidas del embalaje



ZANOTTI S.p.A.